

# SSS1629 Headset/ Line-in Controller

## Overview

SSS1629 is 3S highly integrated single chip USB audio controller with on chip oscillator to save the external 12MHz crystal component for headset application. SSS1629 built-in stereo 16 bits ADC, stereo 16 bits DAC, earphone driver, five-band hardware EQ, audio PLL, USB clock oscillator, USB FS controller and USB PHY. External 24C02~24C16 EEPROM connection provides flexibility for USB VID/PID/product string, default gain settings, and other customized demands. SSS1629 provides a minimum BOM solution for featured USB audio solutions.



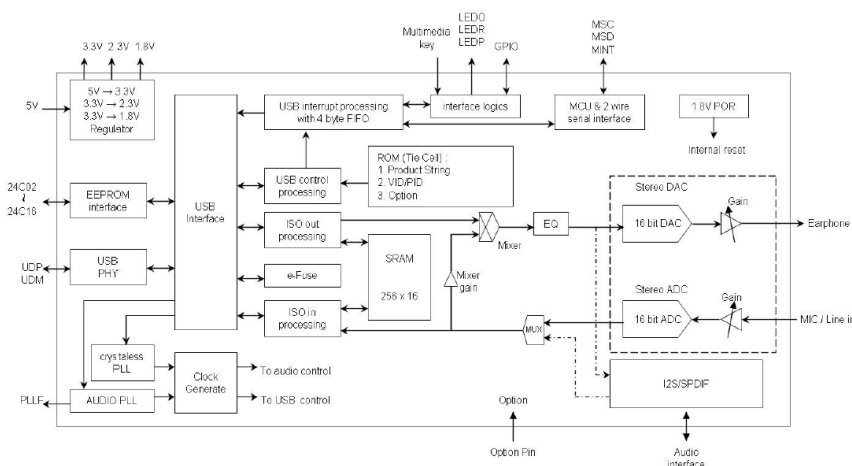
3system.com.tw

## Features

- Compliant with USB specification v2.0 full speed operation
- Compliant with USB audio device class specification v1.0
- Embedded 16-Bit Delta-Sigma ADC and DAC
- Support 8KHz, 11.025KHz, 12KHz, 16KHz, 22.05KHz, 24KHz, 32KHz, 44.1KHz and 48KHz (default)
- Embedded I2S (master mode)/SPDIF interface for DAC/ADC
- Volume up, volume down, playback mute, recording mute, next track, previous track, stop, play/pause and EQ pin for direct user control
- Initial setting with I2C interface for external 24bit Codec
- Compatible with Win XP/Vista/7/10/11 and Mac system with OS's USB Audio driver
- LQFP48

## Highlights

- Stereo 16 bit DAC
- Stereo 16 bit ADC
- Class AB Earphone Driver
- Microphone input
- USB Audio Class v1.0
- External EEPROM I/F
- USB HID:
  - Multimedia Key
- Peripherals
  - Two-wire serial bus
- Win XP / Win Vista/ Win7/ Win10/ Win11/ Mac ready
- Single 5V power supply
- USB Headset Controller
- LQFP 48



2023.12.21



**Solid State System**

Head Quarter: +886-3-552-6568 | China Office: +86-755-8347-6881  
www.3system.com.tw | E-mail: info@3system.com.tw